

TYPICAL LEVEL HANDRAIL
DETAIL

THIS DRAWING AND ALL THE INFORMATION THEREON IS THE PROPERTY OF THE HOLLÄENDER MFG. CO., IS CONFIDENTIAL AND MUST NOT BE MADE PUBLIC, NOR COPIED, NOR USED, TO THE DISADVANTAGE OF SAID HOLLÄENDER MFG. CO. AND IS SUBJECT TO RETURN ON DEMAND.
COPYRIGHT 0000,
HOLLÄENDER MANUFACTURING CO.

NO.	REVISIONS	DATE	APPROVED
0	RELEASED FOR APPROVAL	00/00/00	BW

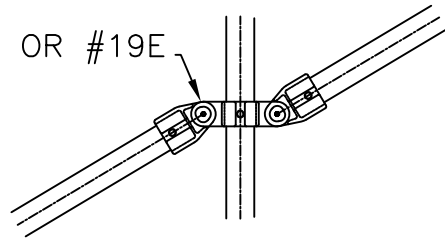
Hollaender[®]
STRUCTURAL ENGINEERING GROUP

HOLLÄENDER MFG.
10285 WAYNE AVENUE
CINCINNATI, OH 45215-6399
PH: (800) 772-8800
FX: (800) 772-8806
WWW.HOLLÄENDER.COM

DESIGN BY	APPROVED BY	DATE
GG	BW	00-00-00
PROJECT NO.	SCALE	
N/A	NTS	
NOTES	PROJECT NO.	
ALUMINUM	0000-XXX	
	SHEET	1 OF 1

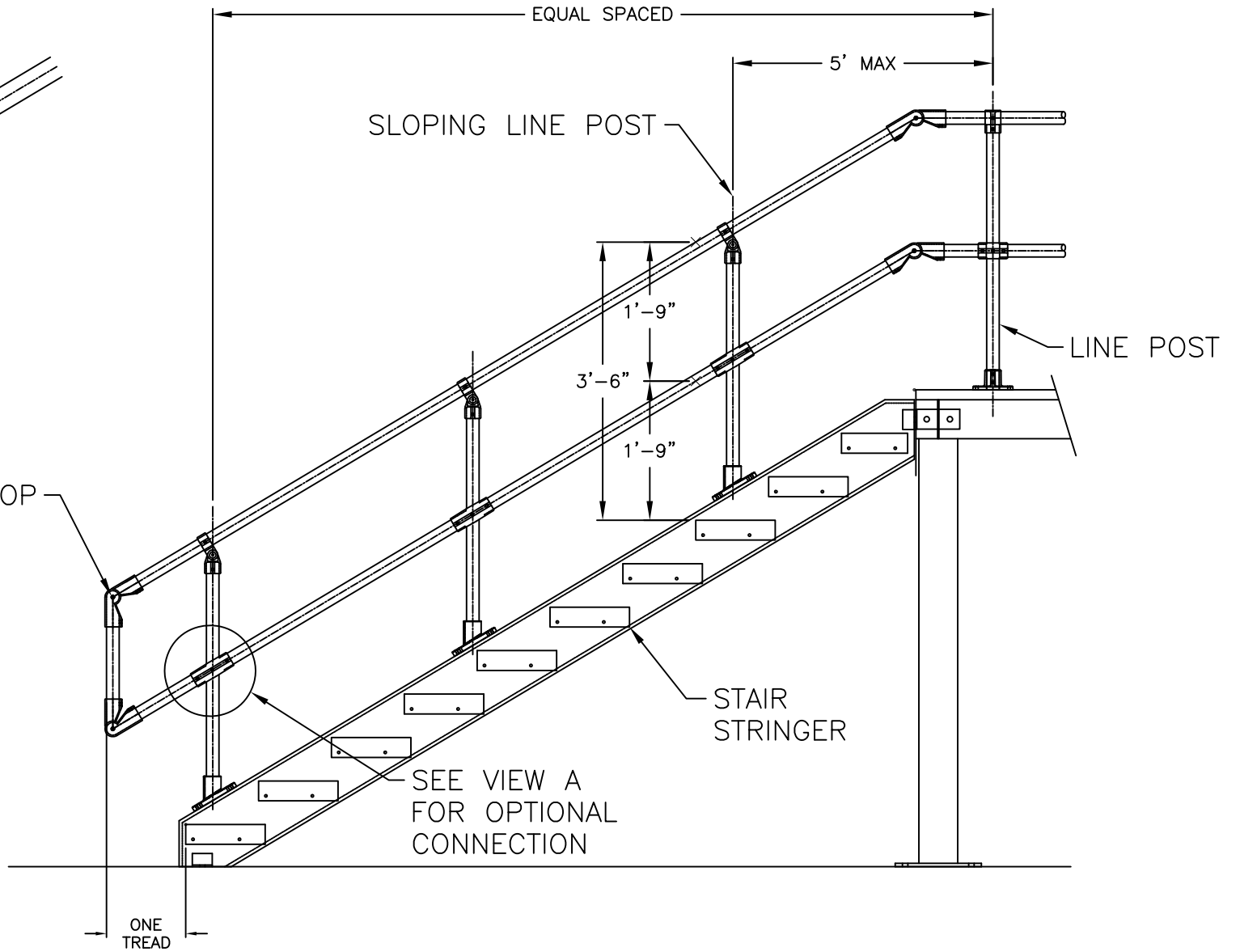


#19 OR #19E



VIEW A

ENDLOOP



TYPICAL SLOPING HANDRAIL
DETAIL

THIS DRAWING AND ALL THE INFORMATION THEREON IS THE PROPERTY OF THE HOLLANDER MFG. CO., IS CONFIDENTIAL AND MUST NOT BE MADE PUBLIC, NOR COPIED, NOR USED, TO THE DISADVANTAGE OF SAID HOLLANDER MFG. CO. AND IS SUBJECT TO RETURN ON DEMAND.
COPYRIGHT ©2000, HOLLANDER MANUFACTURING CO.

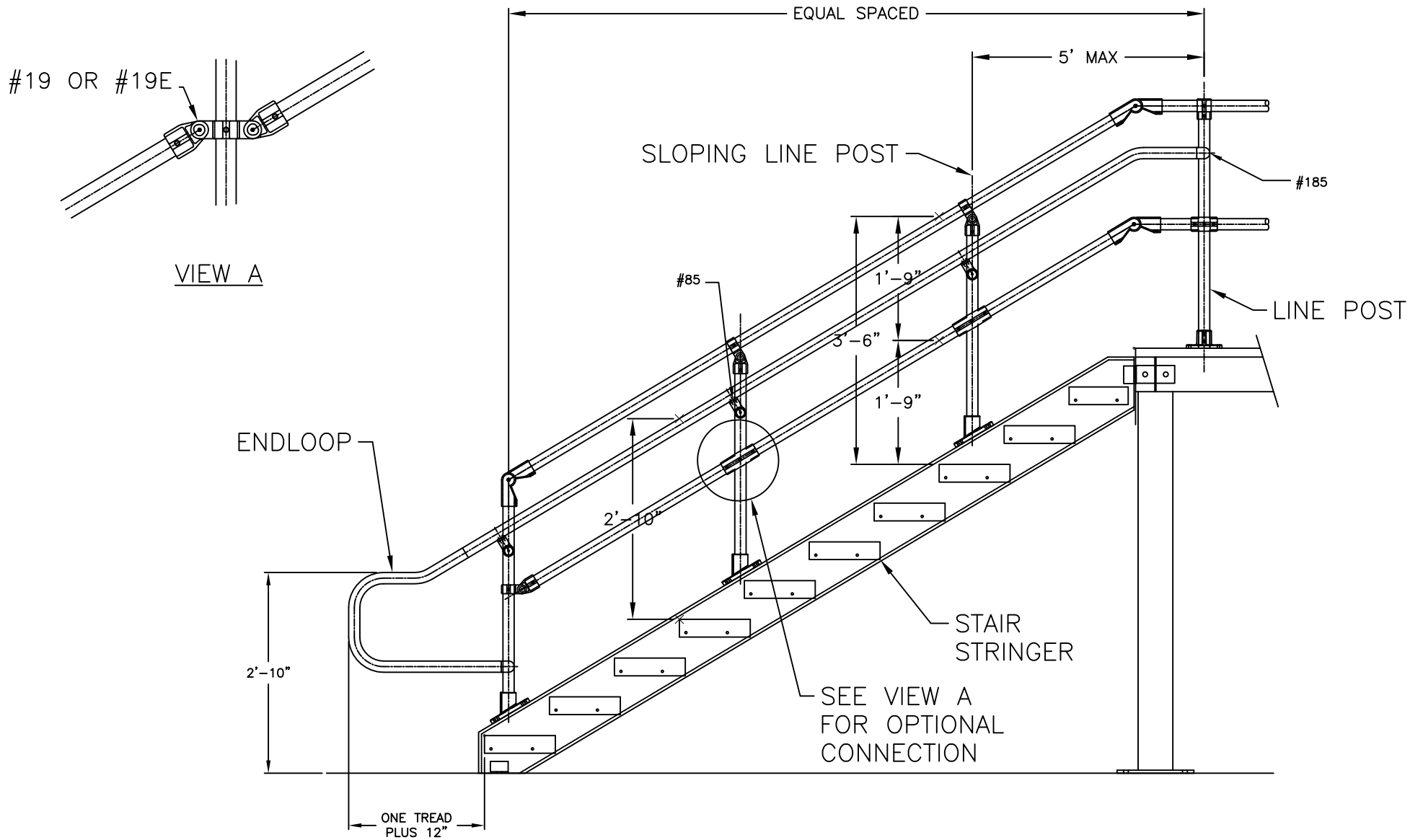
NO.	REVISIONS	DATE	APPROVED
0	RELEASED FOR APPROVAL	00/00/00	BW



HOLLANDER MFG.
10285 WAYNE AVENUE
CINCINNATI, OH 45215-6399
PH: (800) 772-8800
FX: (800) 772-8806
WWW.HOLLANDER.COM

DESIGNER	APPROVED BY	DATE
GG	BW	00-00-00
N/A		NTS
NOTED		0000-XXX
ALUMINUM		1 1





**TYPICAL SLOPING HANDRAIL
w/ GRABRAIL DETAIL**

THIS DRAWING AND ALL THE INFORMATION THEREON IS THE PROPERTY OF THE HOLLANDER MFG. CO., IS CONFIDENTIAL AND MUST NOT BE MADE PUBLIC, NOR COPIED, NOR USED, TO THE DISADVANTAGE OF SAID HOLLANDER MFG. CO. AND IS SUBJECT TO RETURN ON DEMAND.
COPYRIGHT 0000,
HOLLANDER MANUFACTURING CO.

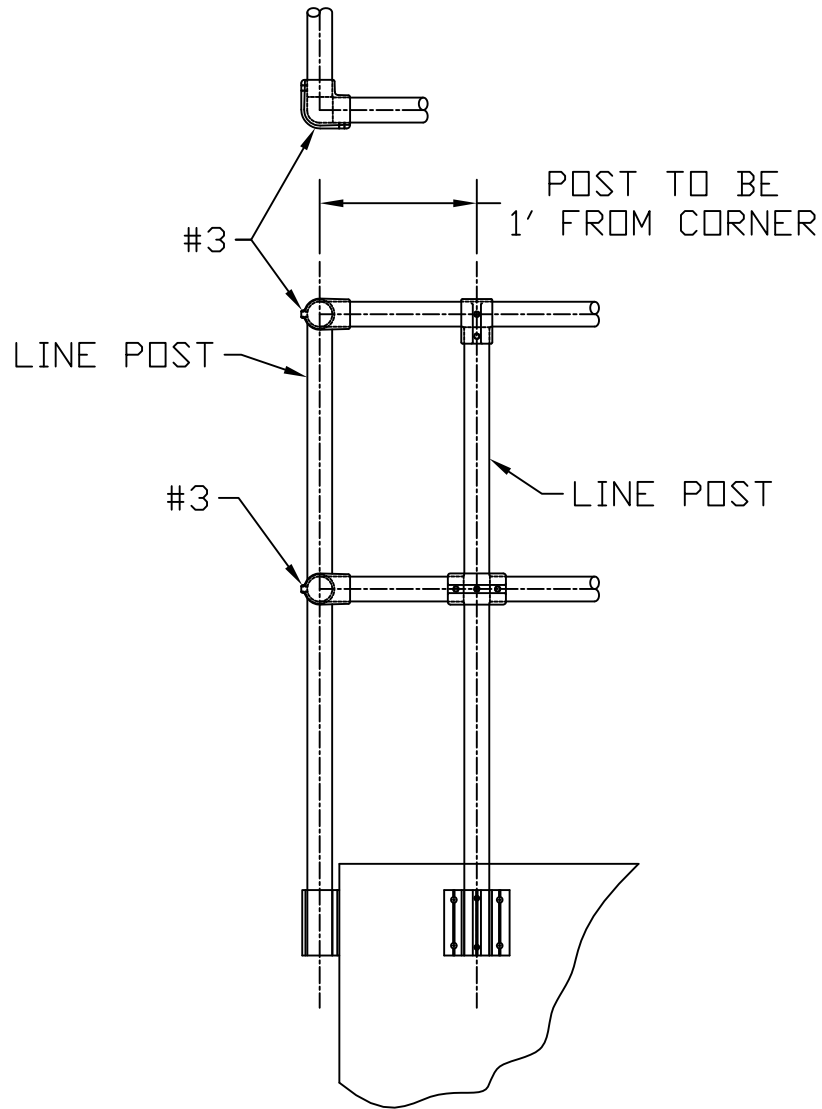
NO.	REVISIONS	DATE	APPROVED
0	RELEASED FOR APPROVAL	00/00/00	BW

Hollander[®]
STRUCTURAL ENGINEERING GROUP

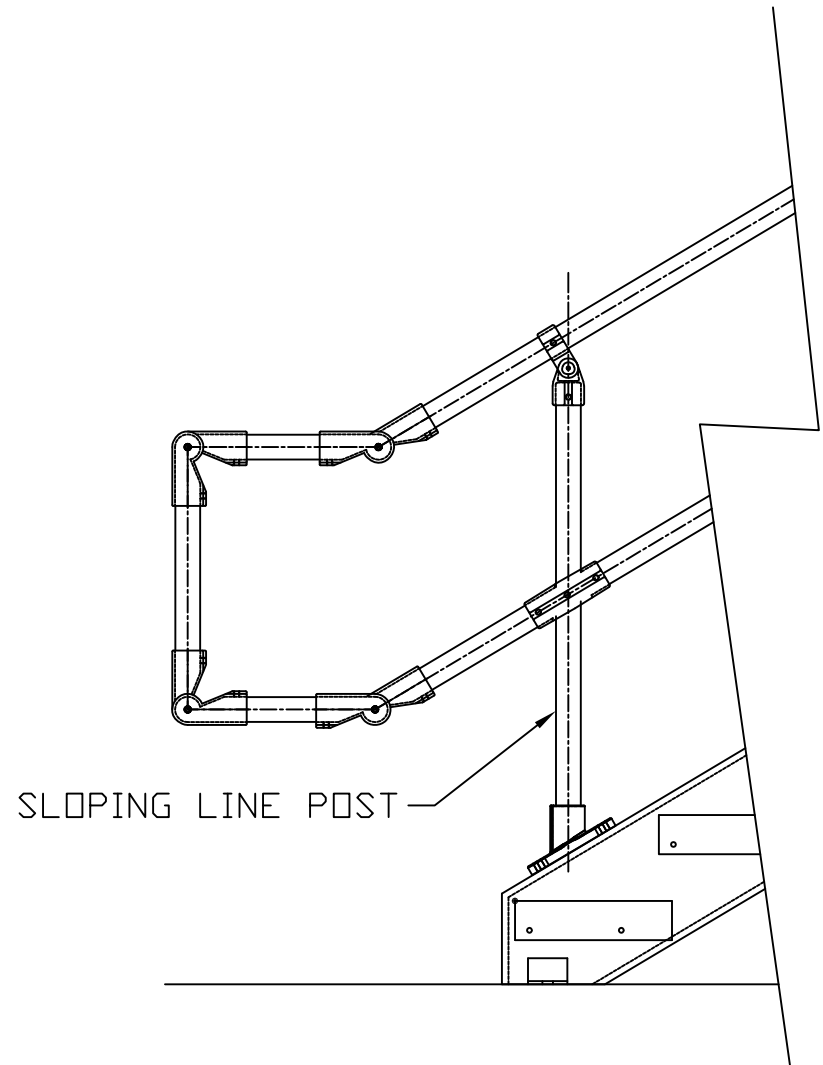
HOLLANDER MFG.
10285 WAYNE AVENUE
CINCINNATI, OH 45215-6399
PH: (800) 772-8800
FX: (800) 772-8806
WWW.HOLLANDER.COM

DESIGN BY	APPROVED BY	DATE
GG	BW	00-00-00
N/A		NTS
NOTED		0000-XXX
ALUMINUM		1 of 1





**#3 CORNER
DETAIL**



**ENDLOOP
DETAIL**

THIS DRAWING AND ALL THE INFORMATION THEREON IS THE PROPERTY OF THE HOLLÄENDER MFG. CO. IS CONFIDENTIAL AND MUST NOT BE MADE PUBLIC, NOR COPIED, NOR USED, TO THE DISADVANTAGE OF SAID HOLLÄENDER MFG. CO. AND IS SUBJECT TO RETURN ON DEMAND.

COPYRIGHT ©2000 HOLLÄENDER MANUFACTURING CO.

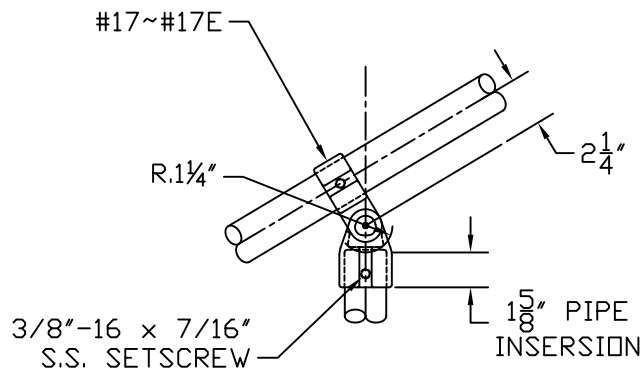
NO.	REVISIONS	DATE	APPROVED
0	RELEASED FOR APPROVAL	00/00/00	BW

Hollaender[®]
STRUCTURAL ENGINEERING GROUP

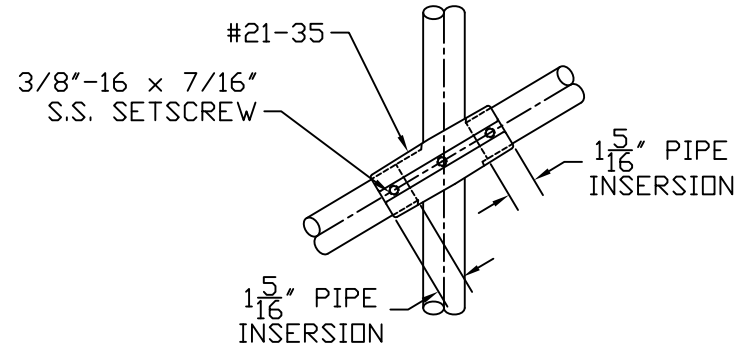
HOLLÄENDER MFG.
10285 WAYNE AVENUE
CINCINNATI, OH 45215-6399
PH: (800) 772-8800
FX: (600) 772-8806
WWW.HOLLÄENDER.COM

DRAWN BY	APPROVED BY	DATE
GG	BW	00-00-00
PROJECT NO.	SCALE	
N/A	NTS	
FROM	DRAWING NO.	
NOTED	0000-XXX	
MATERIAL	SHEET	
ALUMINUM	1	1





TEE SLOPING
DETAIL



CROSS SLOPING
DETAIL

THIS DRAWING AND ALL THE INFORMATION THEREON IS THE PROPERTY OF THE HOLLÄENDER MFG. CO. IS CONFIDENTIAL AND MUST NOT BE MADE PUBLIC, NOR COPIED, NOR USED, TO THE DISADVANTAGE OF SAID HOLLÄENDER MFG. CO. AND IS SUBJECT TO RETURN ON DEMAND.
COPYRIGHT ©2000 HOLLÄENDER MANUFACTURING CO.

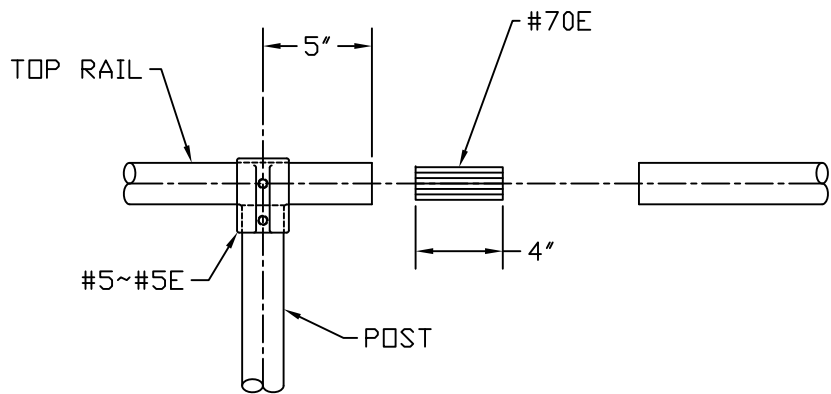
NO.	REVISIONS	DATE	APPROVED
0	RELEASED FOR APPROVAL	00/00/00	BW

Hollaender[®]
STRUCTURAL ENGINEERING GROUP

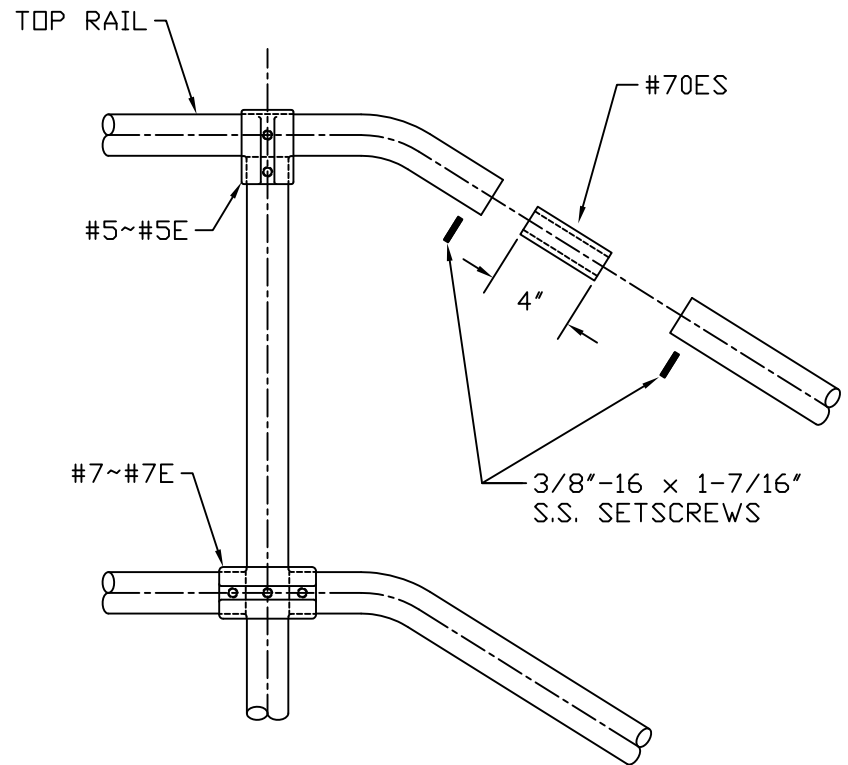
HOLLÄENDER MFG.
10285 WAYNE AVENUE
CINCINNATI, OH 45215-6399
PH: (800) 772-8800
FX: (800) 772-8806
WWW.HOLLÄENDER.COM

DRAWN BY	APPROVED BY	DATE
GG	BW	00-00-00
PROJECT NO.		SCALE
N/A		NTS
FROM		ISSUE NO.
NOTED		0000-XXX
MATERIAL		SHEET
ALUMINUM		1 OF 1





**#70E INTERNAL SPLICE
DETAIL**



**#70ES INTERNAL LOCKING SPLICE
DETAIL**

THIS DRAWING AND ALL THE INFORMATION THEREON IS THE PROPERTY OF THE HOLLAEENDER MFG. CO. IS CONFIDENTIAL AND MUST NOT BE MADE PUBLIC, NOR COPIED, NOR USED, TO THE DISADVANTAGE OF SAID HOLLAEENDER MFG. CO. AND IS SUBJECT TO RETURN ON DEMAND.

COPYRIGHT 0000
HOLLAEENDER MANUFACTURING CO.

NO.	REVISIONS	DATE	APPROVED
0	RELEASED FOR APPROVAL	00/00/00	BW

Hollaender[®]
STRUCTURAL ENGINEERING GROUP

HOLLAEENDER MFG.
10285 WAYNE AVENUE
CINCINNATI, OH 45215-6399
PH: (800) 772-8800
FX: (800) 772-8806
WWW.HOLLAEENDER.COM

DESIGN BY	APPROVED BY	DATE
GG	BW	00-00-00
PROJECT NO.		SCALE
N/A		NTS
FROM		REVISION NO.
NOTED		0000-XXX
MATERIAL		SHEET
ALUMINUM		1 OF 1

