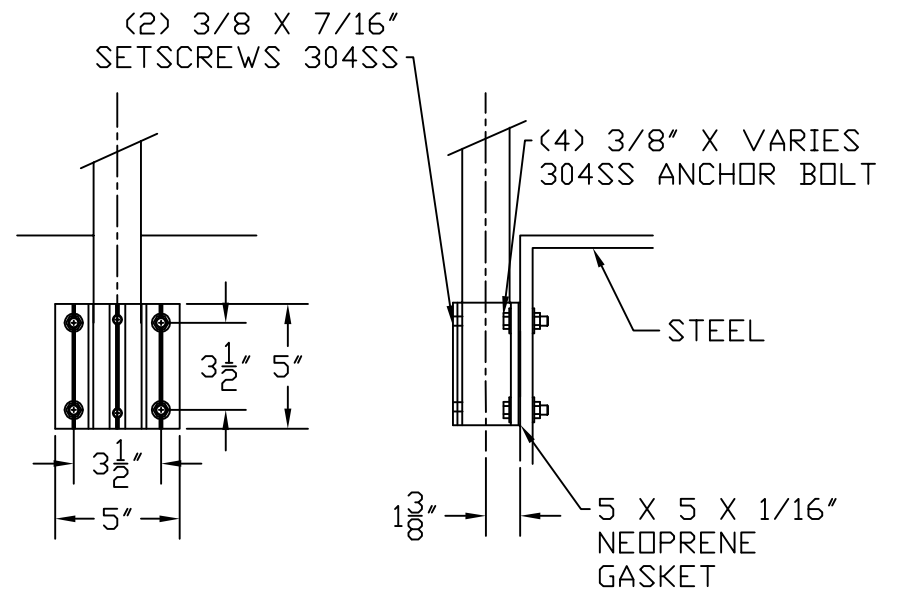


NEOPRENE GASKET IS REQUIRED BETWEEN EXTRUDED FLANGES
AND CONCRETE OR STEEL

#52E SIDE MOUNT FLANGE DETAIL



NEOPRENE GASKET IS REQUIRED BETWEEN EXTRUDED FLANGES
AND CONCRETE OR STEEL

#52E SIDE MOUNT FLANGE DETAIL

NO.	REVISIONS	DATE	APPROVED
A	ISSUED FOR REVIEW/APPROVAL	6-9-05	BW

Hollaender
STRUCTURAL ENGINEERING GROUP

HOLLAENDER MFG.
10285 WAYNE AVENUE
CINCINNATI, OH 45215-6399
PH: (800) 772-8800
FX: (800) 772-8806
WWW.HOLLAENDER.COM

PROJECT	DESCRIPTION	SCALE	DATE
HOLLAENDER	DETAIL PACKAGE	BW	6-9-05
		N/A	NTS
		VARIES	3115-D
		VARIES	6 6

