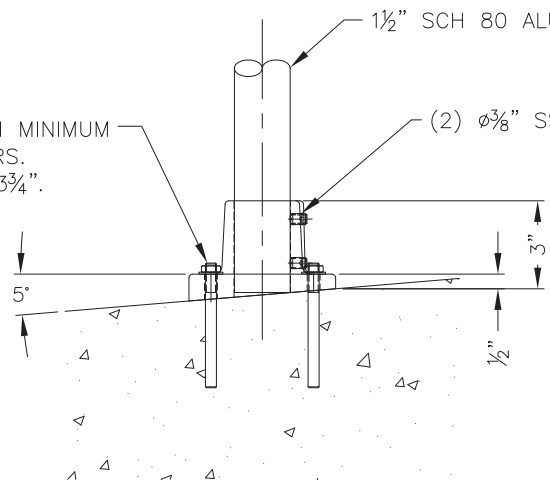


(4)  $\phi\frac{3}{8}$ " CHEMICAL ANCHOR WITH MINIMUM  
 $2\frac{3}{4}$ " EMBED PROVIDED BY OTHERS.  
 MINIMUM CONCRETE THICKNESS  $3\frac{3}{4}$ ".

(2)  $\phi\frac{3}{8}$ " SST. SETSCREWS PROVIDED BY HOLLAENDER



**Hollaender**<sup>®</sup>

STRUCTURAL ENGINEERING GROUP  
 10285 WAYNE AVENUE  
 CINCINNATI, OH 45215-6399  
 PHONE: (800) 772-8800 FAX: (800) 772-8806  
 WWW.HOLLAENDER.COM

**45SBCS-8 SQUARE BASE FLANGE**  
**1:12 SLOPE CONCRETE DETAIL**