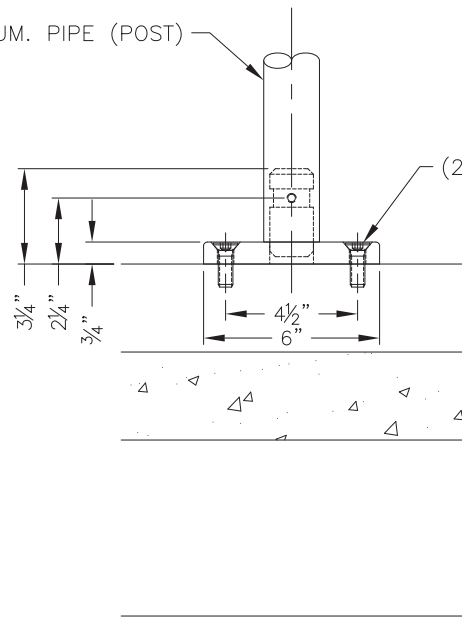
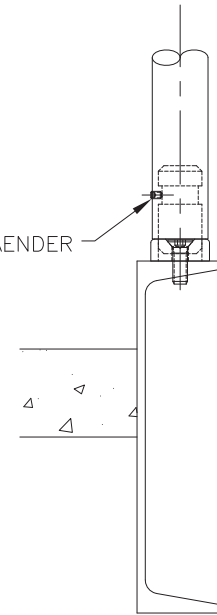


1½" SCH 80 ALUM. PIPE (POST)



(2) ½" SST. FSHMS PROVIDED BY OTHERS

Ø 3/8" SST. SETSCREW PROVIDED BY HOLLAENDER



Hollaender®

STRUCTURAL ENGINEERING GROUP

10285 WAYNE AVENUE
CINCINNATI, OH 45215-6399

PHONE: (800) 772-8800 FAX: (800) 772-8806
WWW.HOLLAENDER.COM

146I-8 WELDED STEEL FLANGE
ON STEEL CHANNEL STRINGER